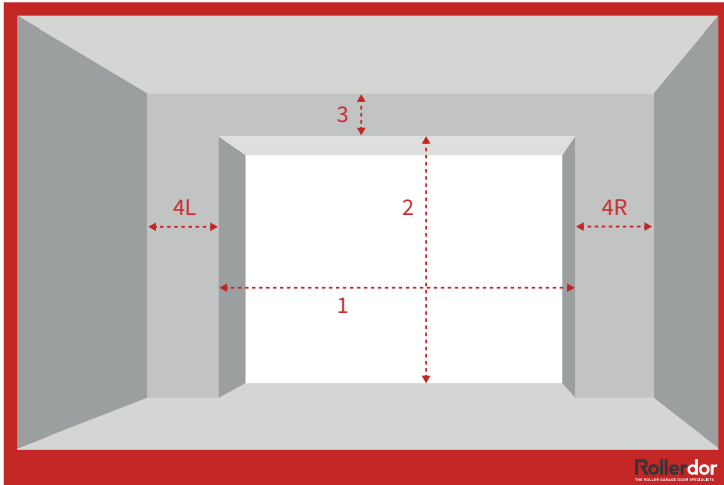
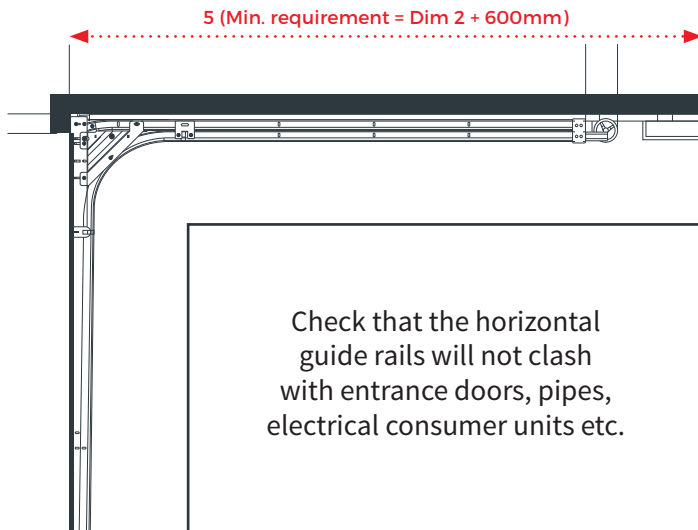


# SECTIONAL DOOR MEASURING GUIDE



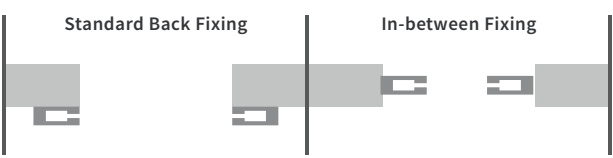
- 1** Opening Width \_\_\_\_\_ mm
- 2** Opening Height \_\_\_\_\_ mm
- 3** Headroom Height \_\_\_\_\_ mm
- 4L** Side Room \_\_\_\_\_ mm
- 4R** Side Room \_\_\_\_\_ mm



**Cladding**  
 Left  Right  Centre Width \_\_\_\_\_ mm

**Alternative Entrance?**  Yes  No      **External Manual Release Required**  Yes  No

**1** Value of '5' (Overall length) \_\_\_\_\_ mm



## PANEL COLOUR

Inside panel is white by default  
 Outside \_\_\_\_\_

PANEL STYLE	Woodgrain	Satin	Wood Laminate
Sandringham	<input type="checkbox"/>	<input type="checkbox"/>	<input type="checkbox"/>
Highgrove	<input type="checkbox"/>	×	<input type="checkbox"/>
Balmoral	×	<input type="checkbox"/>	×
Windsor	<input type="checkbox"/>	<input type="checkbox"/>	<input type="checkbox"/>